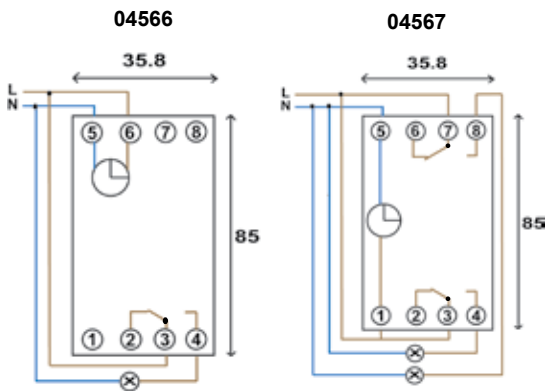
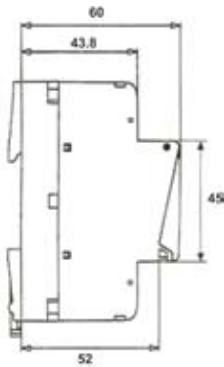


SOLAR DIN

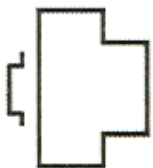
SUNTRACKER 04 series



Dimensions & Electrical Connections



Mounting



Single or Dual channel switches with solar & standard settings

- ▶ The Suntracker 04 range comes with key programming.
- ▶ Software is available to easily create program master keys.
- ▶ Programming convenience through ability to set times with supply disconnected.
- ▶ Ideal for applications where the flexibility of solar and fixed time programming is required.

Product Range

04566	7 day, single solar channel, with programme key
04567	7 day, dual solar channel, with programme key
23195	Interface and software for programming by PC
23193	Virgin programming key
143602	Compatible IP40 enclosure

	Technical characteristics																
Supply voltage	230 V +15/-15% 50/60 Hz																
Power reserve	Lithium battery with 5 years reserve																
Power consumption	max. 6VA at 50/60Hz																
Cutoff power	<table border="0"> <tr><td>resistive load</td><td>16 AAC1</td></tr> <tr><td>inductive load (cos φ = 0.6)</td><td>10 A</td></tr> <tr><td>incandescent and halogen load</td><td>2300W</td></tr> <tr><td>VLV halogen electronic or ferromagnetic transformer</td><td>750W</td></tr> <tr><td>compact fluorescent tubes</td><td>500W</td></tr> <tr><td>non compensated fluorescent tubes</td><td>1000W</td></tr> <tr><td>parallel compensated fluorescent tubes (max. 45 μF)</td><td>400W</td></tr> <tr><td>electronic ballast</td><td>8 x 58 W</td></tr> </table>	resistive load	16 AAC1	inductive load (cos φ = 0.6)	10 A	incandescent and halogen load	2300W	VLV halogen electronic or ferromagnetic transformer	750W	compact fluorescent tubes	500W	non compensated fluorescent tubes	1000W	parallel compensated fluorescent tubes (max. 45 μF)	400W	electronic ballast	8 x 58 W
resistive load	16 AAC1																
inductive load (cos φ = 0.6)	10 A																
incandescent and halogen load	2300W																
VLV halogen electronic or ferromagnetic transformer	750W																
compact fluorescent tubes	500W																
non compensated fluorescent tubes	1000W																
parallel compensated fluorescent tubes (max. 45 μF)	400W																
electronic ballast	8 x 58 W																
Min. cutoff power in AC1	100 mA																
Insulation class	II																
Degree of protection	IP 20/ IK 03																
Operating temperature	-10 °C to +55 °C																
Storage temperature	-20 °C to +60 °C																
Connection capacity	1 to 6 mm ²																
Performance indicated for an ambient temperature of 20 °C																	