

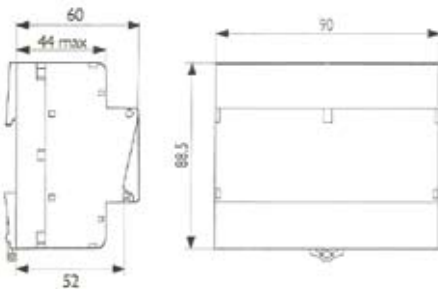
STANDARD DIN *27series*

4 channel switch with daily & weekly programming settings

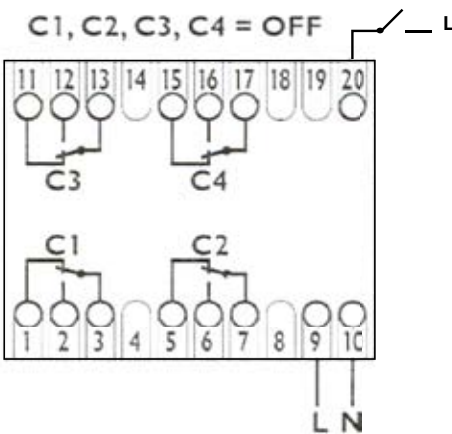
- ▶ 7 day programmer with multiple program options per day.
- ▶ Each channel has separate switching functions which mean applications can work independently from each other.
- ▶ In addition, each channel has an independent override function to compensate for days when individual applications are not in use.
- ▶ Ability to switch off all 4 channels by a remote switch connected to the mains.



Dimensions



Electrical Connections



Mounting



| Product Range | |
|---------------|------------------|
| 27403 | 7 day, 4 channel |
| 143541 | Enclosure |

| Technical characteristics | |
|---|--------------------------------------|
| Supply voltage | 220/240 V |
| Frequency | 50/60 Hz |
| Power reserve | Lithium battery with 3 years reserve |
| Power consumption | approx. 20 VA |
| Changeover contacts resistive load | 16 A 250 V |
| resistive load inductive load (cos φ = 0.6) | 3 A 250 V |
| Accuracy of operation | 1 sec / 24 h. |
| Operating temperature | -10 °C to +50 °C |
| Storage temperature | -20 °C to +60 °C |
| Connection by cage terminals, section of conductors | 1.5 to 4 mm ² |
| Conformity to standard BS EN 60730 | yes |
| Performance indicated for an ambient temperature of 20 °C | |